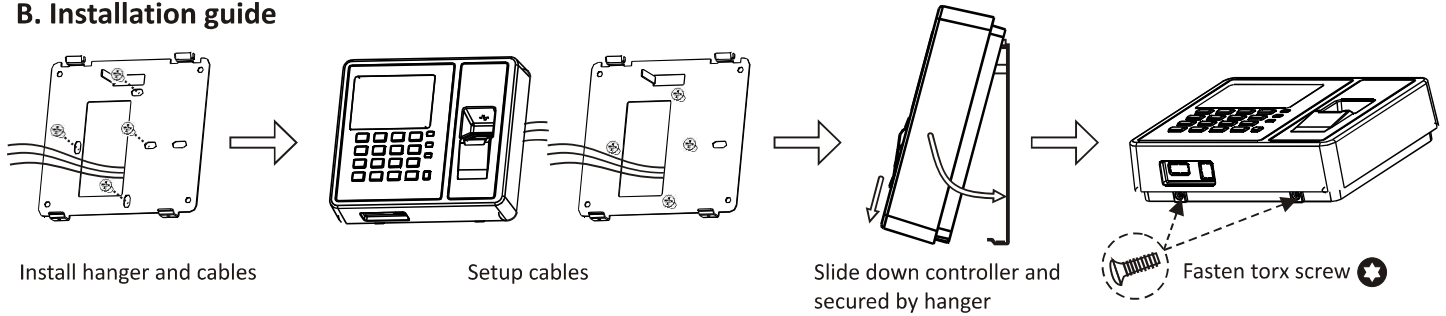


### A. Package content

- Controller x 1, wall hanger x 1, warranty card x 1, user manual x 1, kit pack x 1
- Kit pack : screw x 4, screw anchors x 4, torx screw x 2, diode (1N4004) x 1, screwdriver x 1, 9 pin cable x 1, 8 pin cable x 1, 3 pin cable x 1, 2 pin cable x 1

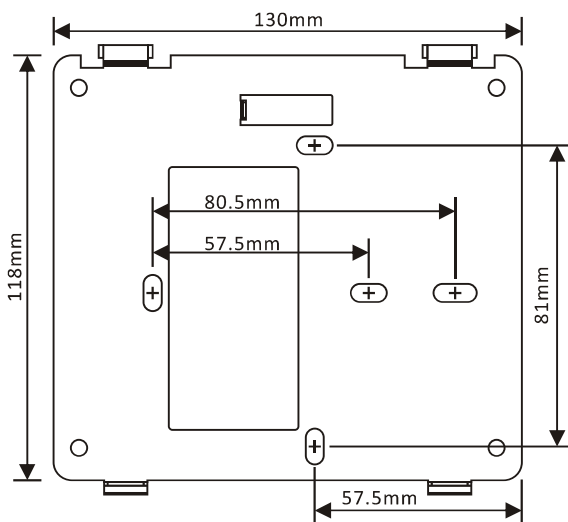
### B. Installation guide



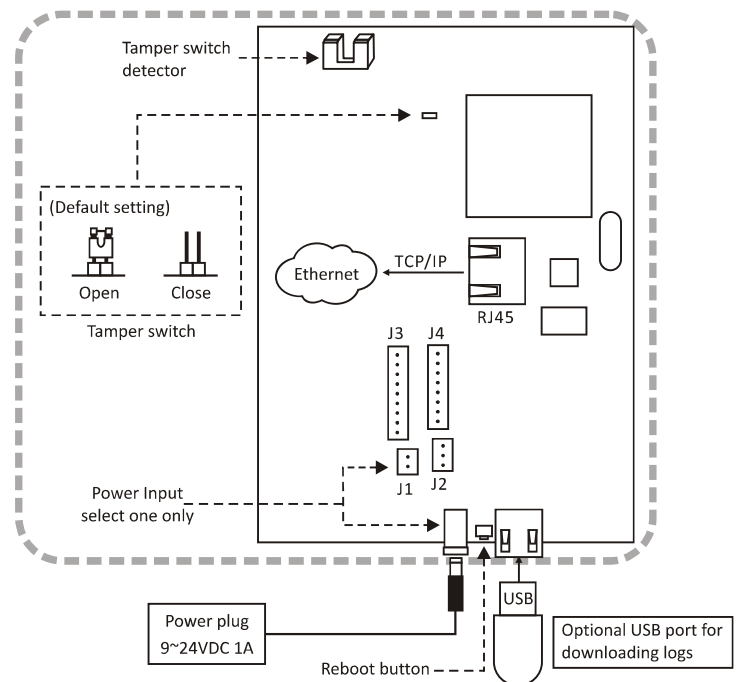
### C. Specification

- Dimension : 160 x 140 x 41.6 mm
- Voltage range : 9 ~ 24 VDC
- Current : Max 1A
- Wiegand range : Max 80M
- TCP/IP range : Max 100M (add hub to extend)
- RS485 range : Max 1000M
- Recommend RVSP shielded twisted pair RS485 cable

#### ■ Back cover dimension



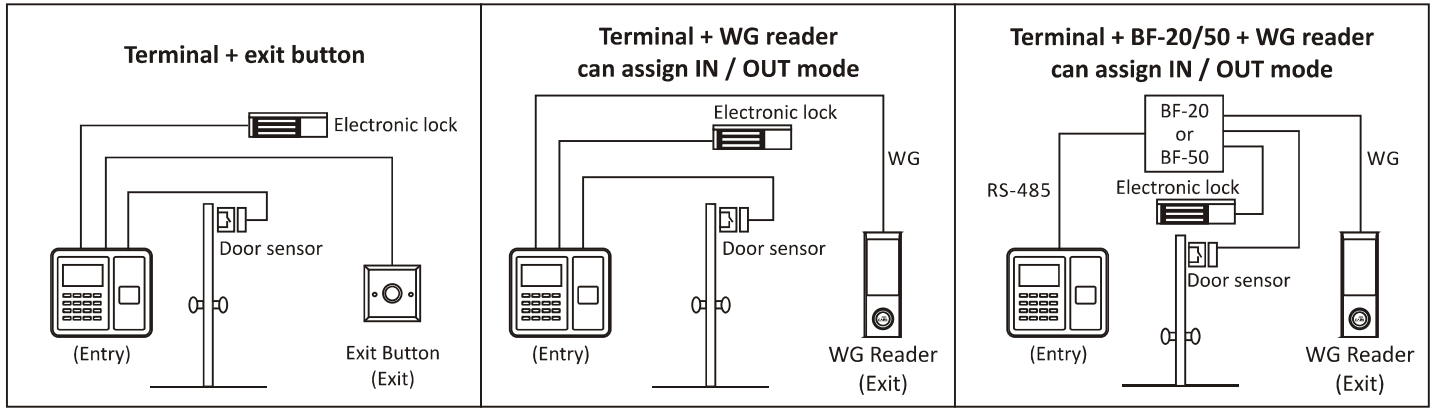
### D. Controller introduction



### E. Enter administrator mode guide :

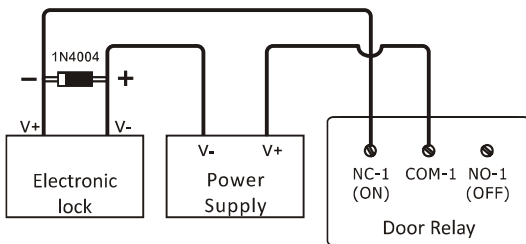
- Press F1 + F1 → enter default password 111111 → press # ( Yes = # ; No = \* )
- Add user  
Advance setup → user → add user single / continuous → enter UID → register card if any → register fingerprint if any → register password if any
- Delete user  
Advance setup → user → delete user → present card or enter UID → press #
- Setup IP address  
Advance setup → setting → IP config → enter IP / subnet / gateway
- Setup date&time  
Advance setup → setting → date & time → enter time HH/MM/SS (24hr) → press # → enter date YY/MM/DD (ex : 2010/6/30) = 100630 → press #

## F. Application structure

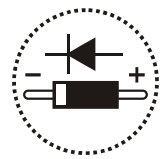
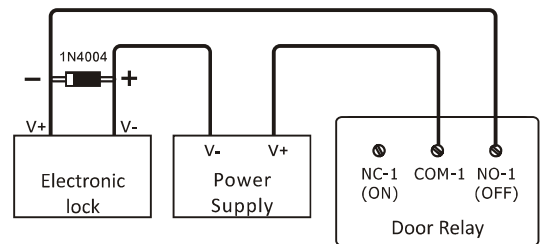


### Electronic lock and door relay connection

#### • Electronic Fail Safe mode

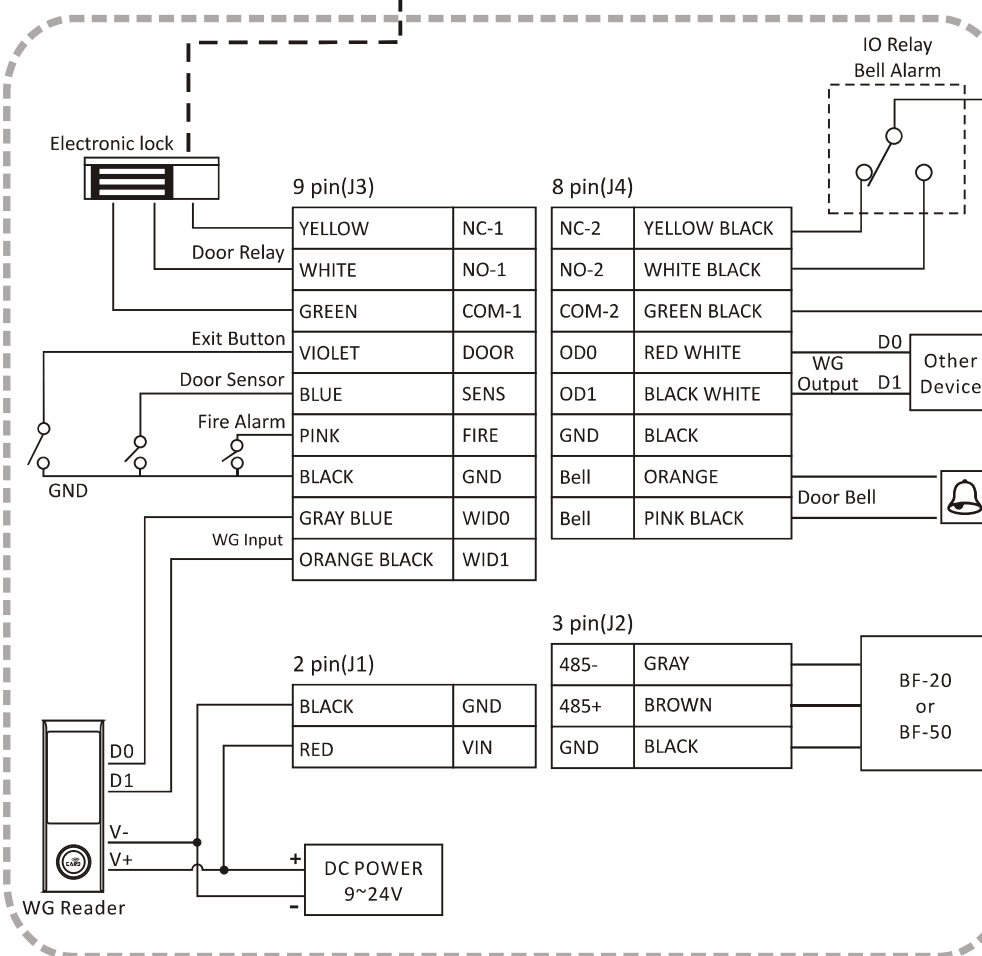


#### • Electronic Fail Secure mode



diode (1N4004)

## G. Cable diagram



## H. Cable description

### 9 pin(J3)

NC-1	YELLOW	Door Relay
NO-1	WHITE	
COM-1	GREEN	
DOOR	VIOLET	Exit Button
SENS	BLUE	Door Sensor
FIRE	PINK	Fire Alarm
GND	BLACK	GND
WID0	GRAY BLUE	WG Input
WID1	ORANGE BLACK	

### 8 pin(J4)

NC-2	YELLOW BLACK	IO Relay Bell Alarm
NO-2	WHITE BLACK	
COM-2	GREEN BLACK	
OD0	RED WHITE	WG Output
OD1	BLACK WHITE	
GND	BLACK	GND
Bell	ORANGE	Door Bell
Bell	PINK BLACK	

### 3 pin(J2)

485-	GRAY	For Relay Box BF-20 or BF-50
485+	BROWN	
GND	BLACK	

### 2 pin(J1)

GND	BLACK	Power Input 9 ~ 24 VDC 1A
VIN	RED	

### ■ Note :

- Door sensor mode default as N/A (can log into device's WebServer to enable it)  
WebServer → door setup → door sensor mode → select normal
- When connecting wiegand reader, please short wiegand reader's GND with terminal